

# 2 & 4 Hour Fire Shutter -

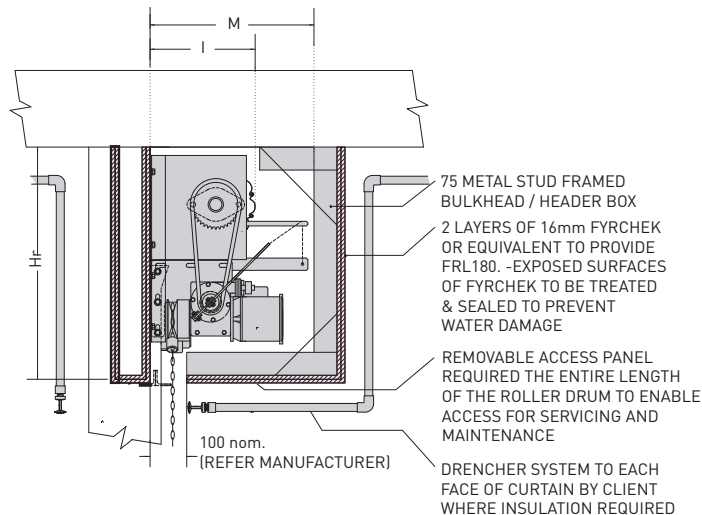
## Bulkhead/Hood

### Technical Specs: Steel Roller Shutters

**Bulkhead or Hood is required over the roller drum and must be incorporated with the door to achieve compliance. Bulkhead is strictly by client (builder)**

#### TYPICAL BULKHEAD

- Design is indicative only.
- Bulkhead provided by client (builder)
- Fusible link must be exposed to general airflow



#### ALTERNATIVE PRESSED METAL HOOD

- Design is indicative only.
- Hood made from min. 1.0mm pressed steel and formed to enclose doorset as shown.
- Gap between steel hood and shutter must allow for deflection of curtain. Consult with manufacturer.
- Hood provided by client unless otherwise specified.
- Fusible link must be exposed to general airflow.

