

Clearlite

Aluminium Roller Shutters



The Airport Doors Clearlite Roller Shutter is one of the strongest transparent polycarbonate shutters on the Australian market and is designed to provide security for internal applications such as shop fronts in shopping centres, counters, cafe's and showrooms.

FEATURES

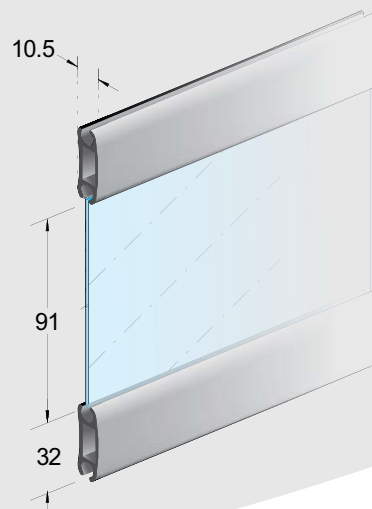
- Interlocking slats
- Light and easy to operate
- Vision Roller Shutter

DOOR DIMENSIONS

- Maximum Height: 3000mm*
 - Maximum Width: 3000mm*
- *Total size must not exceed 8m².

RECOMMENDED SPECIFICATIONS

Clearlite Roller Shutter with clear polycarbonate infill fitted into 35mm high extruded aluminium mid-rail as manufactured by Airport Doors. The Roller Shutter operates by means of a flexible curtain winding onto an overhead drum and guided in aluminium door guides.



© Copyright 2015 Czapp Pty Ltd trading as Airport Doors. In line with Airport Doors' research and development program, Airport Doors reserves the right to change specifications at any time without notice.

Clearlite

Aluminium Roller Shutters

CURTAIN

The Clearlite curtain is manufactured from clear polycarbonate infill fitted into extruded aluminium mid-rail with a 35mm face-height. Each mid-rail is fitted with specially moulded nylon end clips to prevent lateral movement and ensure smooth operation.

FINISH

Aluminium mid-rails are available in natural anodised as standard and can be colour anodised or powder coated when specified.

VENTILATION (OPTIONAL)

Ventilation can be provided when specified by slotting a number of clear polycarbonate slats to create a part-slotted curtain. Fully-slotted Clearlite Shutters are not available.

BOTTOM RAIL

The bottom rail is manufactured from 1.8mm specially extruded aluminium section (measuring 85mm in height), and is fitted with a PVC bottom weather-seal.

DOOR GUIDES

Clearlite standard door guides are manufactured from 2mm thick, 50mm by 30mm extruded aluminium. Where the opening is uneven or not plumb, door guides are used in conjunction with 'take-up' channels (limitations may apply).

DRUM & SPRING ASSEMBLY

The drum is manufactured from galvanised spiral duct tube revolving around a central steel axle and encasing helical torsion springs matched to suit door size and weight. The drum is attached to nylon drum wheels, which provide bearing support to the shaft, and completely conceal the springs. The drum is designed to provide minimal deflection over the door width.

DRUM SUPPORT BRACKETS

Clearlite Roller Shutter drum support brackets are manufactured from either mild steel plate with a thickness of 3mm, or mild steel angle brackets both matched to suit door size and weight. The drum support brackets are prime-coated and are fixed to the wall using masonry anchors or hex head screws, or as specified for steel work.

FIXING REQUIREMENTS

The building construction (typically timber, steel or solid brick) must be structurally sound and have adequate strength to support the Roller Shutter and its fixing requirements. Consult manufacturer for further details.

LOCKING

Hand operated Clearlite Roller Shutters will be fitted as standard with a low profile lock which is identically keyed on both sides. The lock will be fitted to the bottom rail as standard and allow full opening height. When specified the lock can be fitted at waist height.

Alternatively, master key locking is also available upon specification. Master key is available as key operated from outside and 'dead' latch on inside. Where required 'free' (hand) latch can be provided on the inside upon specification. Master key can also be provided keyed on the outside and reverse key on the inside when specified.

NOTE: Master key locks protrude out from the bottom rail, therefore the full opening height cannot be provided (the bottom rail will sit under the lintel in the fully open position).

A shoot-bolt system is also available as an alternative locking option. Padlocks not included.

NOTE: Where door is motorised a manual lock, as discussed above, is not fitted.

MULLIONS (OPTIONAL)

Centre door mullions can be used for wide openings to create multiple door installations. Clearlite standard centre mullions, of either removable or fixed type, are manufactured from extruded aluminium of 125mm width.

Removable mullions are designed to give full opening width. A removable centre mullion consists of a lift-out mullion that locks into the bottom plate with locking pins and fits into the mullion head under the lintel. A fixed type mullion is fixed to the floor and lintel.

Corner mullions are used when two shutters meet in a corner. The mullion is manufactured from aluminium sheets fabricated to suit the angle and size as required. The width of the angular corner mullions can be minimised if the drums are vertically staged when installed.

OPERATION

Roller Shutters operate by means of a flexible interlocking curtain, winding onto an overhead drum and guided in aluminium door guides. Clearlite Roller Shutters can be installed 'behind-fix' or 'between-fix' and are available as hand operated or motorised.

HAND OPERATION

Hand operation of Clearlite Roller Shutters is suitable up to 2400 high by 2500 wide.

MOTORISATION

Standard motorisation is via a 24v DC motor with a wall push-button that opens and closes the door. The operator plugs into a standard GPO and consists of an emergency manual release mechanism in case of power outage.

Alternatively Clearlite aluminium roller shutters can be motorised using a tubular motor fitted inside the drum. Tubular motors are available in single-phase 240v or 24DC/240v. A manual override mechanism is available to enable manual operation in case of power outage.

Operator selection is dependent on the door size, door weight and the door's application.

The provision of adequate mains power supply and GPO or isolator (as required) to motor location is the responsibility of the client. Wiring from the isolator and commissioning of the door, motor controllers and any ancillary hardware is by client, unless otherwise stated in writing.

Optional extras, such as access control accessories (e.g. remote control, key switches etc.) and photo electric beams for added safety, are available upon specification. For further information see Door Operators & Accessories.

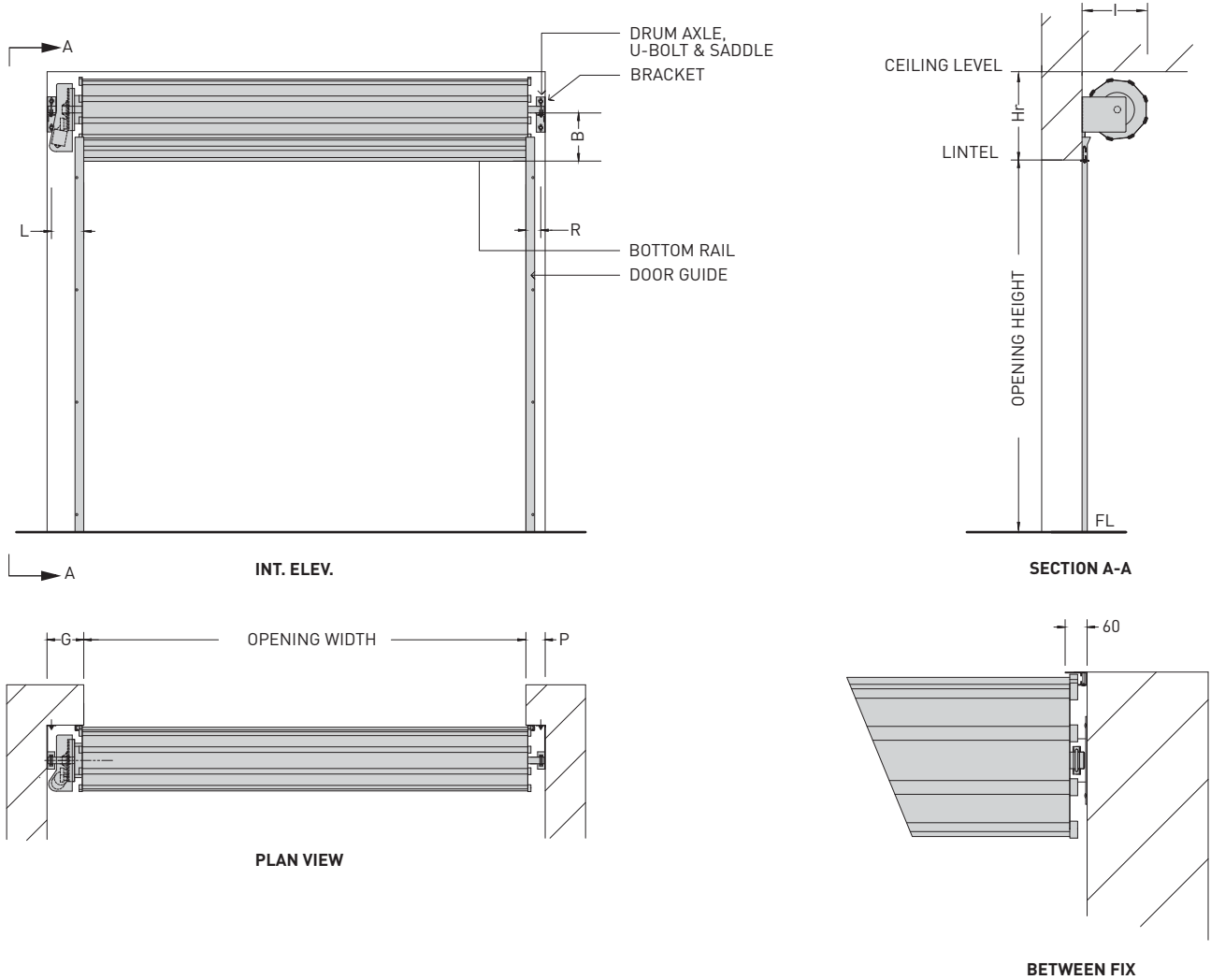
NOTE: Where between-fix is required, tubular motor is used as standard.

OPTIONS

- Tapered bottom
- Mullions: removable or fixed
- Between-fix installation

Clearlite

Technical Specs: Aluminium Roller Shutters



CLEARANCE DETAILS (Behind Fix)

HEIGHT UP TO	WIDTH UP TO 3m			OPERATION	DRIVEN END		PLAIN END	
	Hr	B	I		G*	L	P*	R
1100	480	330	330	HAND OPERATION	P	R	100	70
2500	530	350	360	MOTORISATION (STD)	250	190	100	70
3000	550	360	420	MOTORISATION (TUBULAR)	100	80	100	70

Notes:

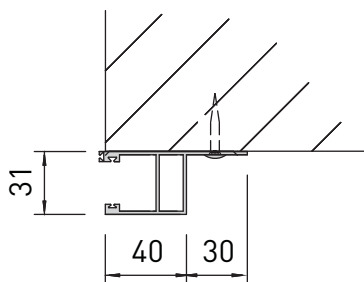
- *For 'between-fix' installation, G & P = 0.
- Total door size must not exceed 8m².

Door Guides

Technical Specs: Aluminium Roller Shutters

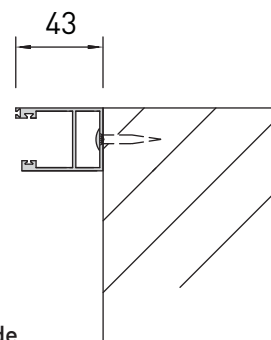
SERIES 25 STANDARD DOOR GUIDES

BEHIND WALL FIXING



Aluminium Guide

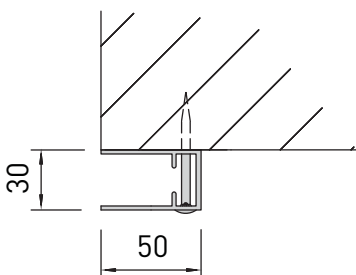
BETWEEN WALL FIXING



Aluminium Guide

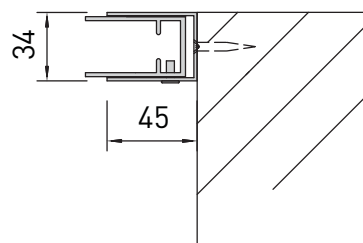
SERIES 63 & CLEARLITE STANDARD DOOR GUIDES

BEHIND WALL FIXING



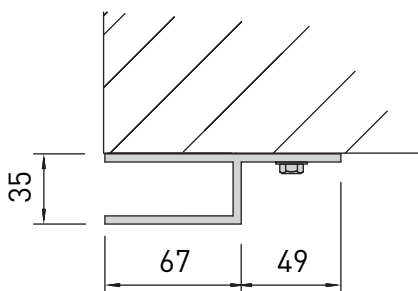
Aluminium Guide

BETWEEN WALL FIXING



Aluminium Guide With Take Up Channel

PANORAMA STANDARD DOOR GUIDE



SUPA SLAT INSULATED & NON INSULATED STANDARD DOOR GUIDE

